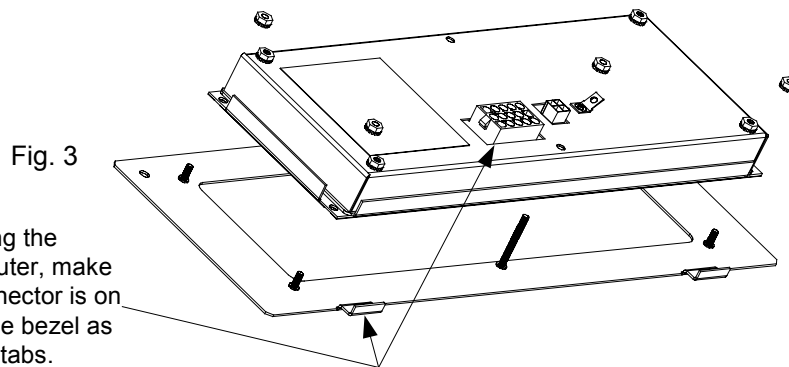
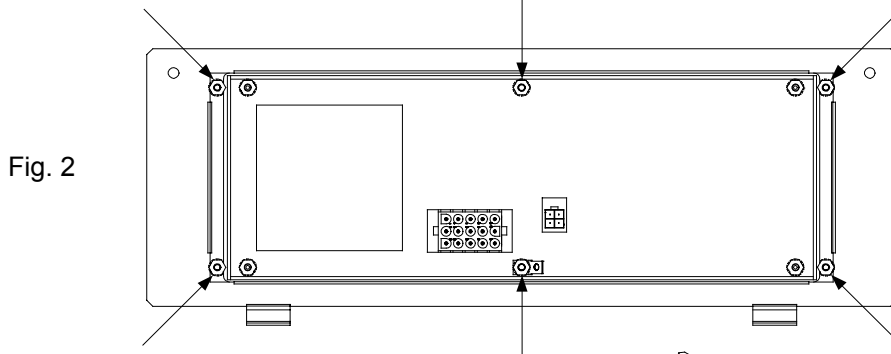
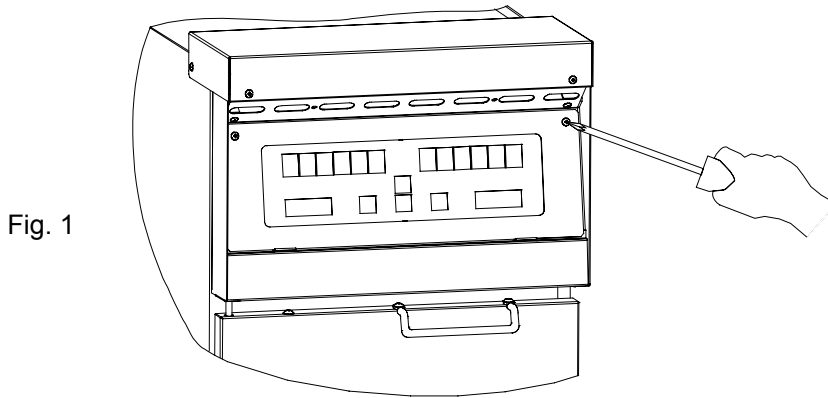


# CM III Replacement Computer Installation Instructions



When installing the replacement computer, make sure the 15-pin connector is on the same side of the bezel as the mounting tabs.

1. Remove the screws in the upper corners of the computer bezel (Fig. 1) and allow the bezel to swing down.
2. Disconnect the 15-pin harness from the rear of the computer and unplug or disconnect the grounding strap.
3. Lift the computer and bezel assembly out of the slots in the control panel frame and lay it face down on a towel or cloth.
4. Remove the hex nuts from the six copper-colored studs (arrows in Fig. 2) and lift the computer up and off the studs as shown in Fig. 3.
5. Install the replacement computer and replace the hex nuts removed in Step 4, being careful not to overtighten the nuts.
6. Replace the computer and bezel assembly in the equipment by reversing Steps 1 through 3.